

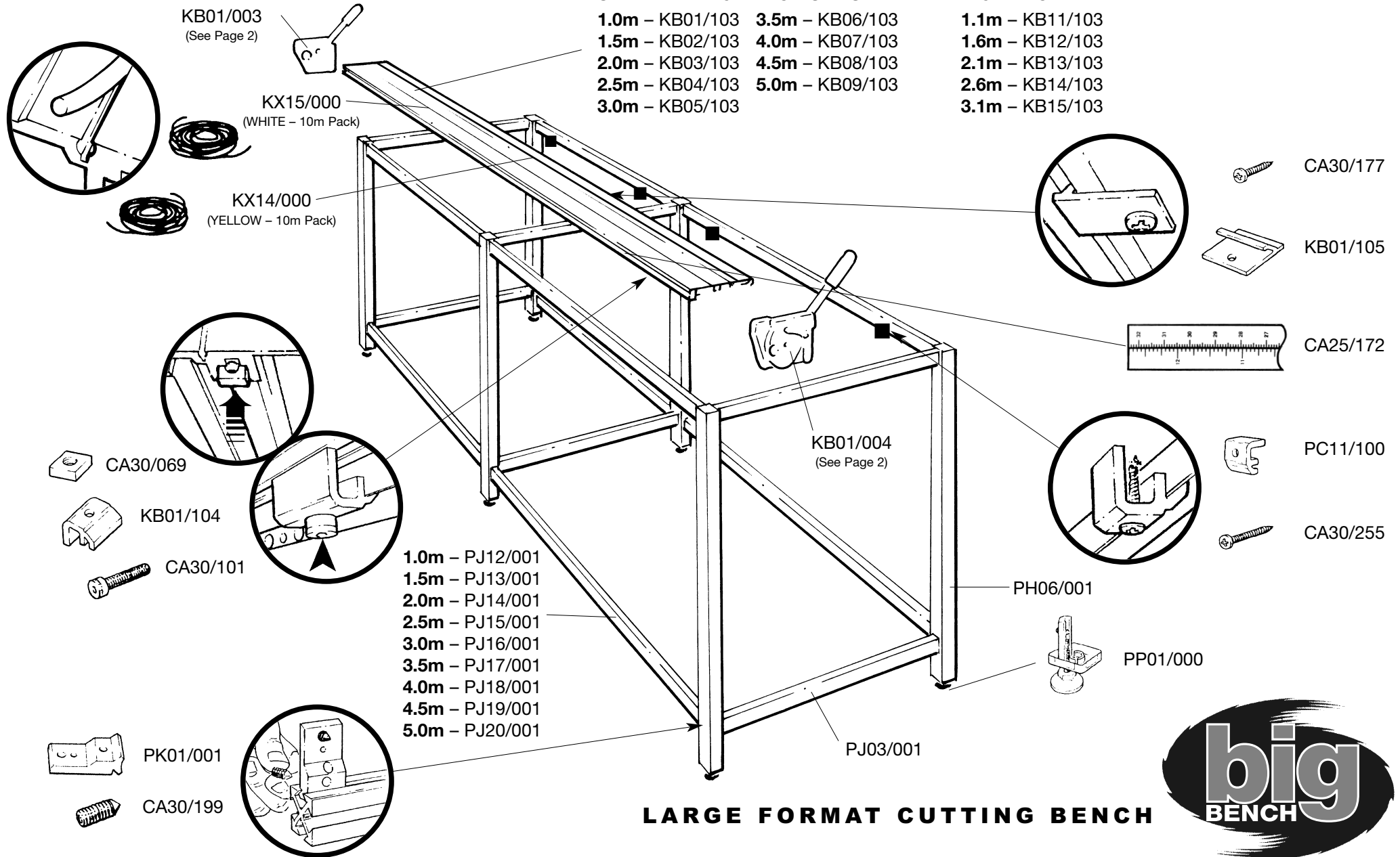
## Big BENCH – SPARE PART LISTINGS

### STANDARD BIG BENCH SIZES:

- |                 |                 |
|-----------------|-----------------|
| 1.0m – KB01/103 | 3.5m – KB06/103 |
| 1.5m – KB02/103 | 4.0m – KB07/103 |
| 2.0m – KB03/103 | 4.5m – KB08/103 |
| 2.5m – KB04/103 | 5.0m – KB09/103 |
| 3.0m – KB05/103 |                 |

### BIG BENCH XTRA:

- |                 |
|-----------------|
| 1.1m – KB11/103 |
| 1.6m – KB12/103 |
| 2.1m – KB13/103 |
| 2.6m – KB14/103 |
| 3.1m – KB15/103 |



**LARGE FORMAT CUTTING BENCH**



