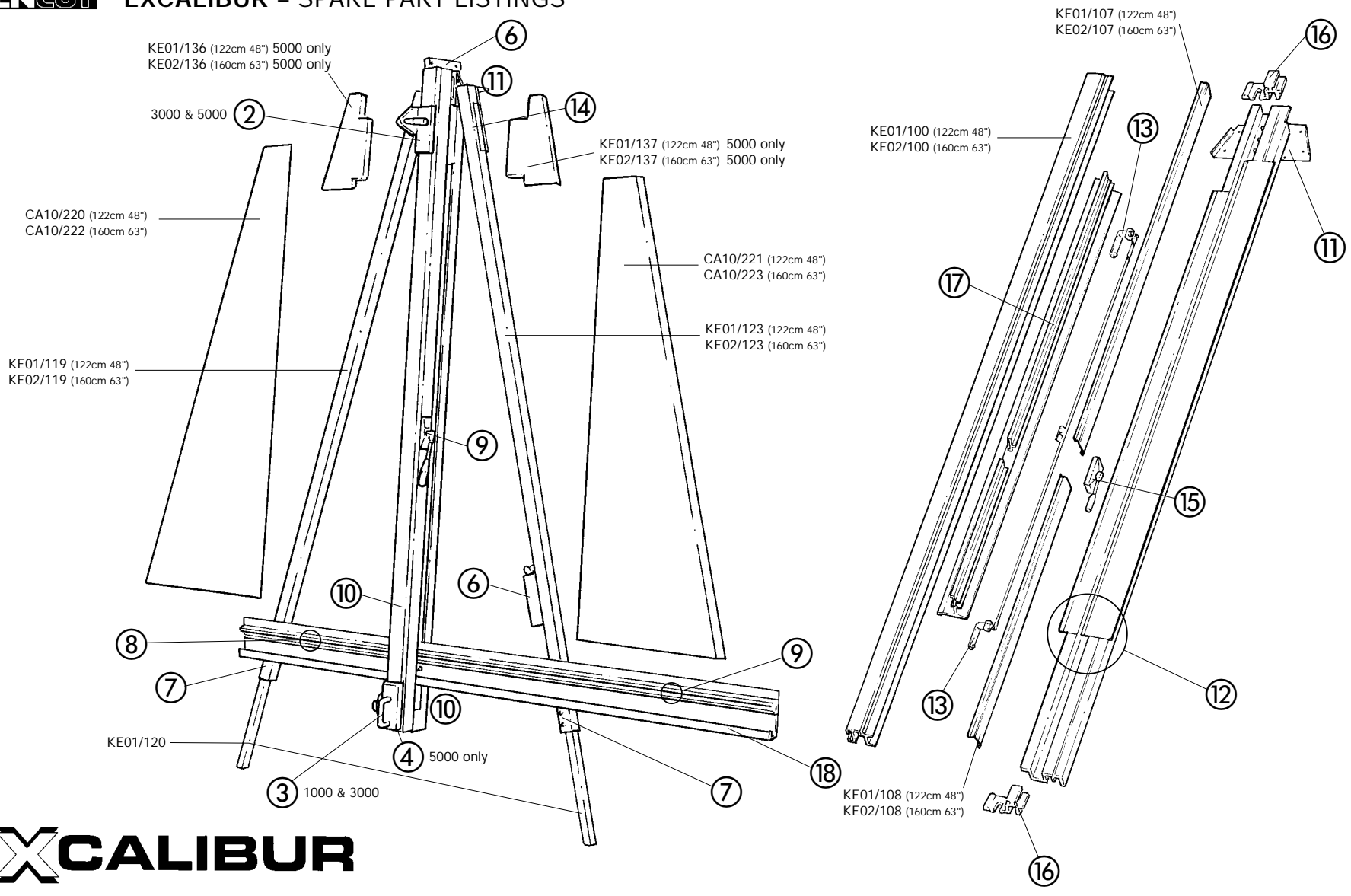


KEENCUT

EXCALIBUR – SPARE PART LISTINGS

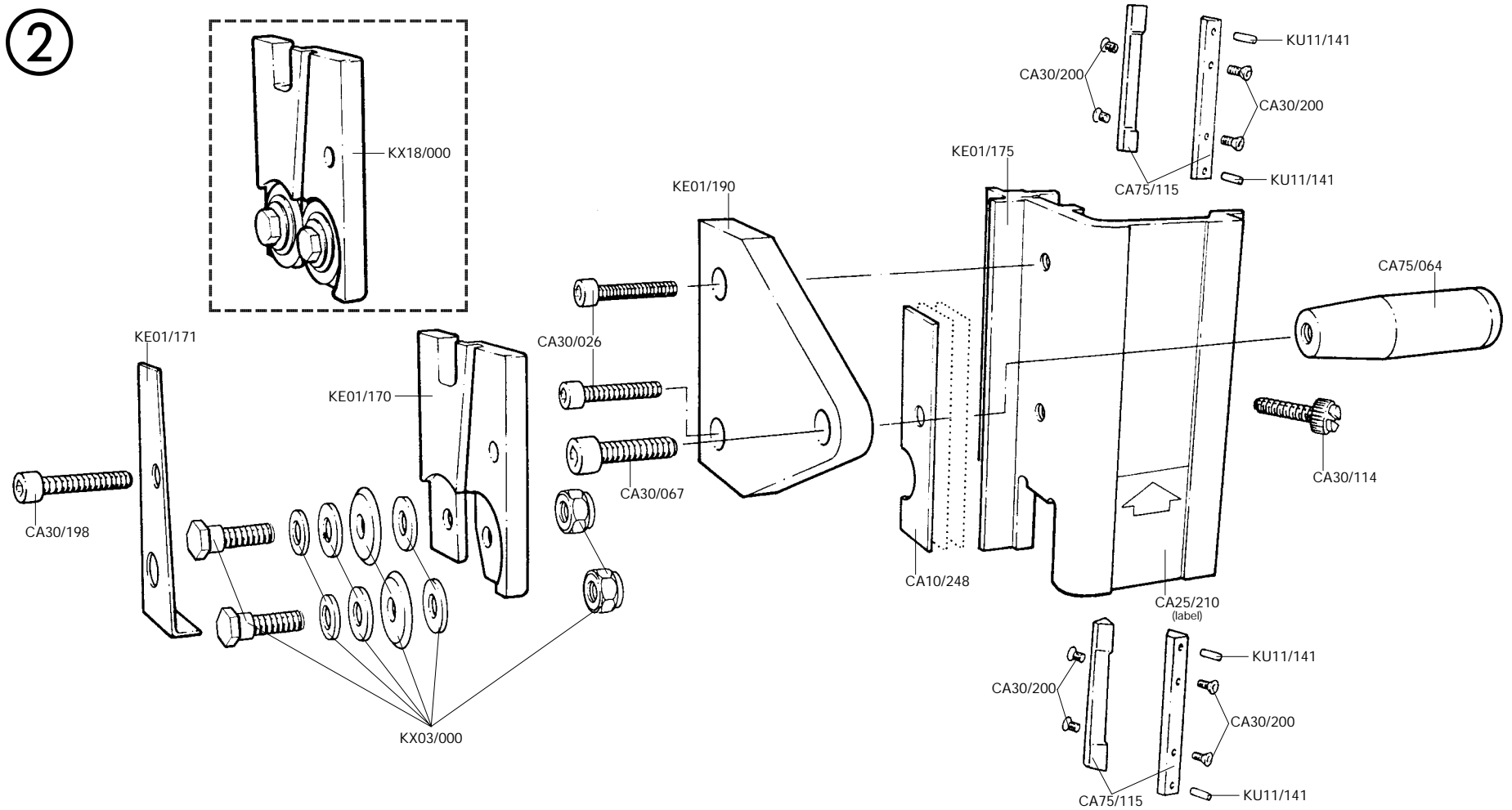


EXCALIBUR

KEENCUT

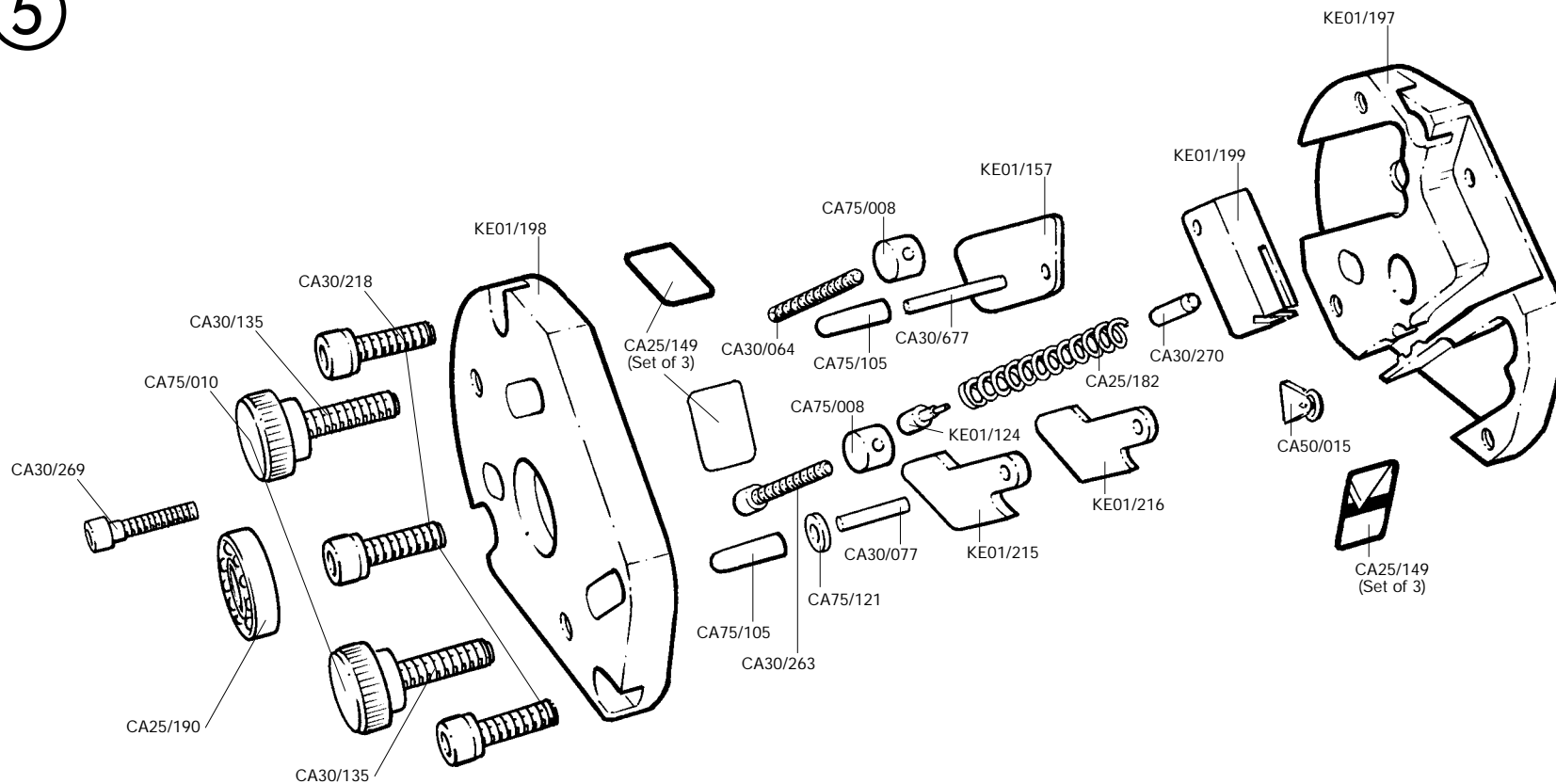
TWIN WHEEL CUTTER HEAD

②



EXCALIBUR 3000 & 5000

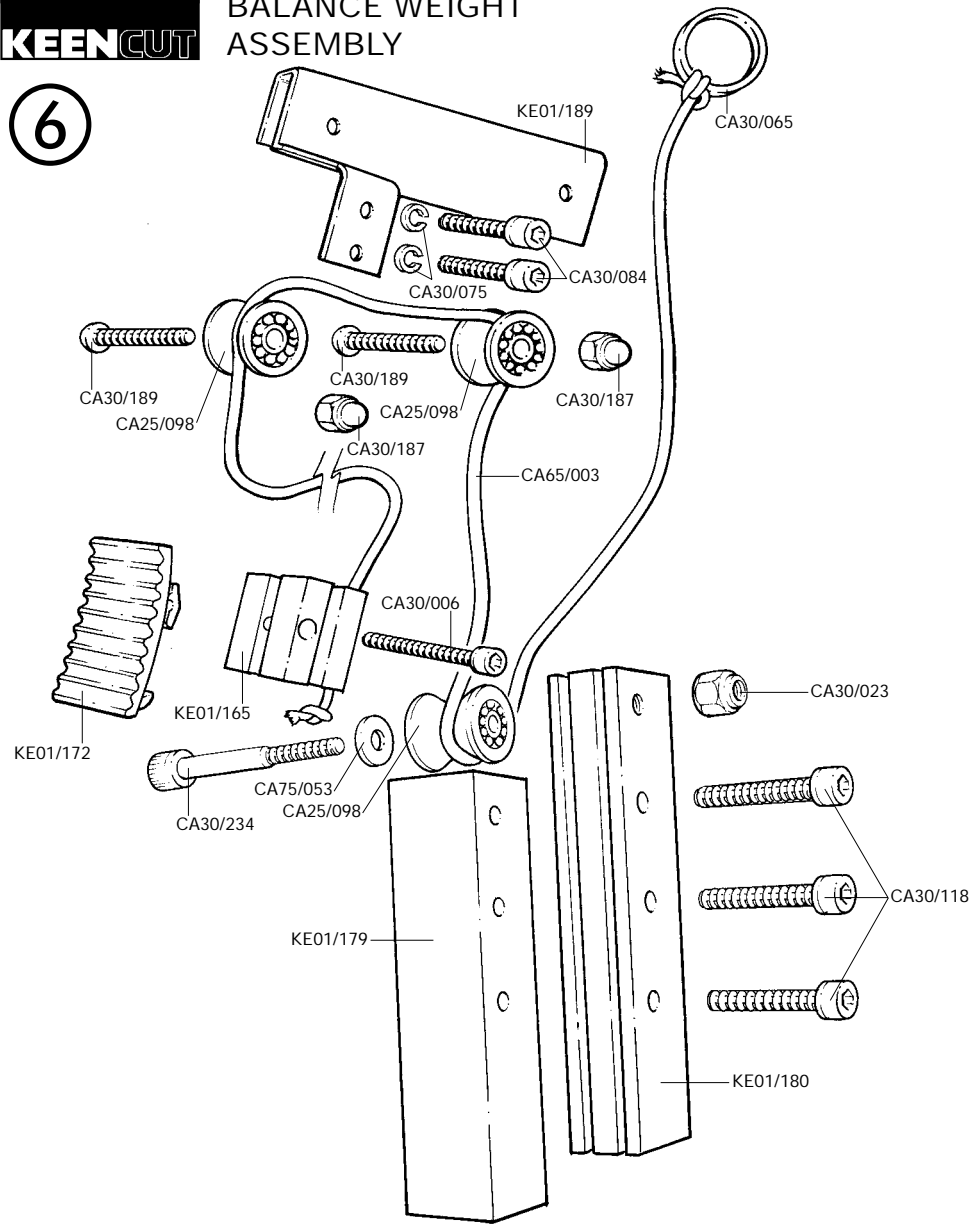
5



KEENCUT

BALANCE WEIGHT ASSEMBLY

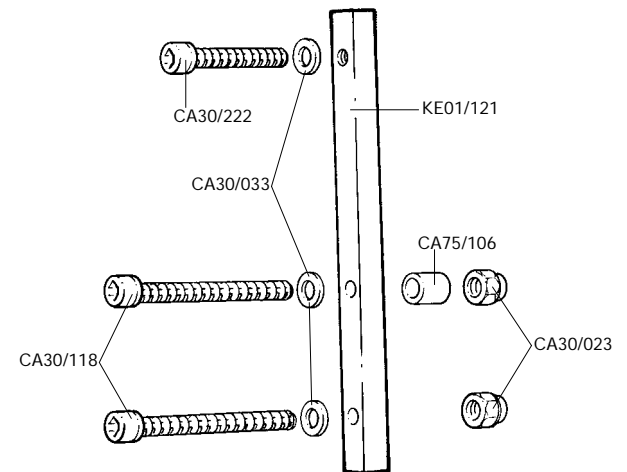
6



KEENCUT

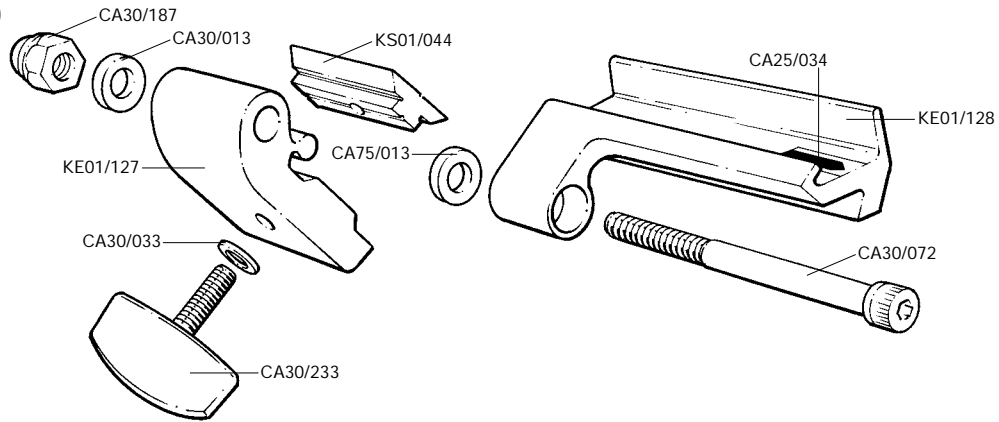
BOTTOM LEG CLAMP ASSEMBLY

7



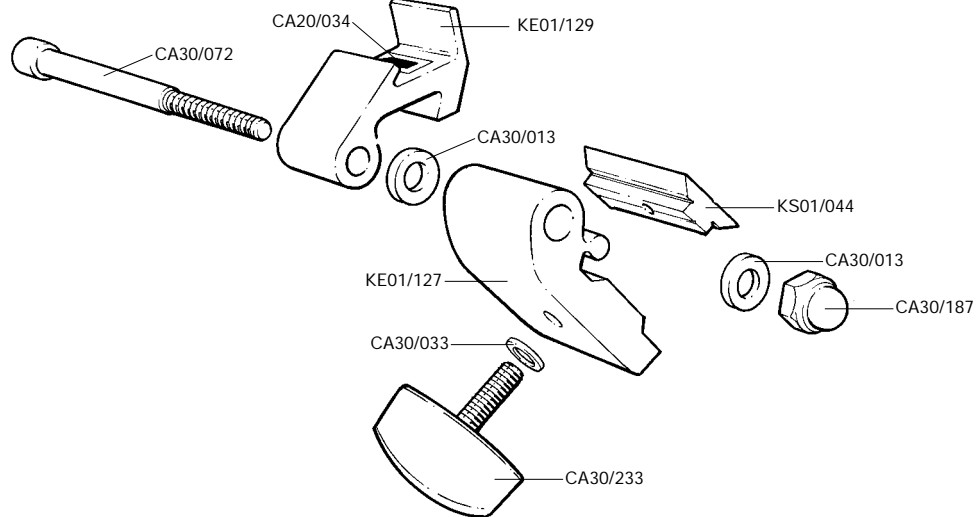
KEENCUT LEFT HAND FLIP STOP

8



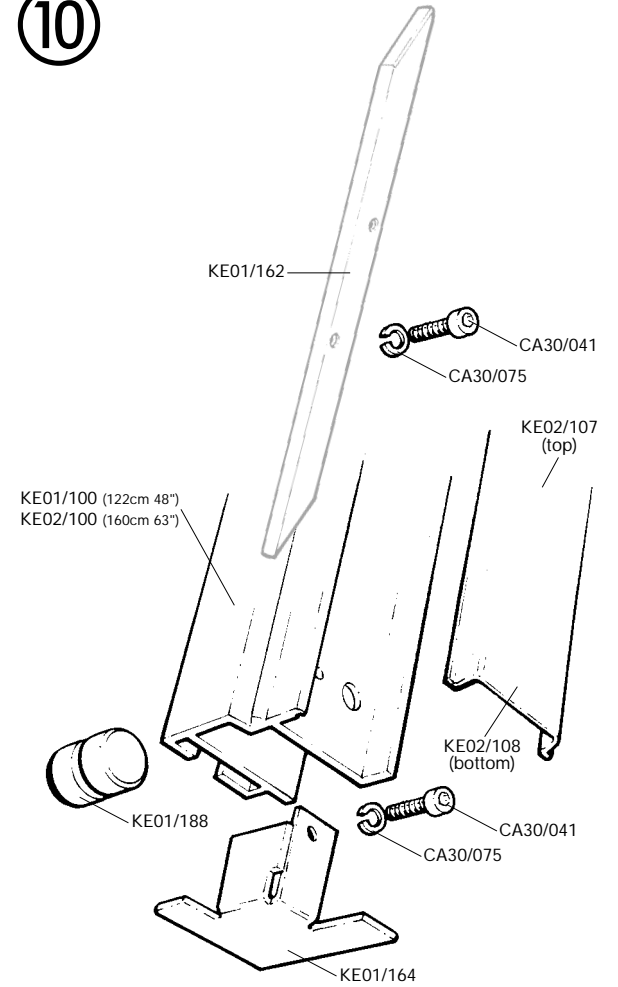
KEENCUT RIGHT HAND FLIP STOP

9



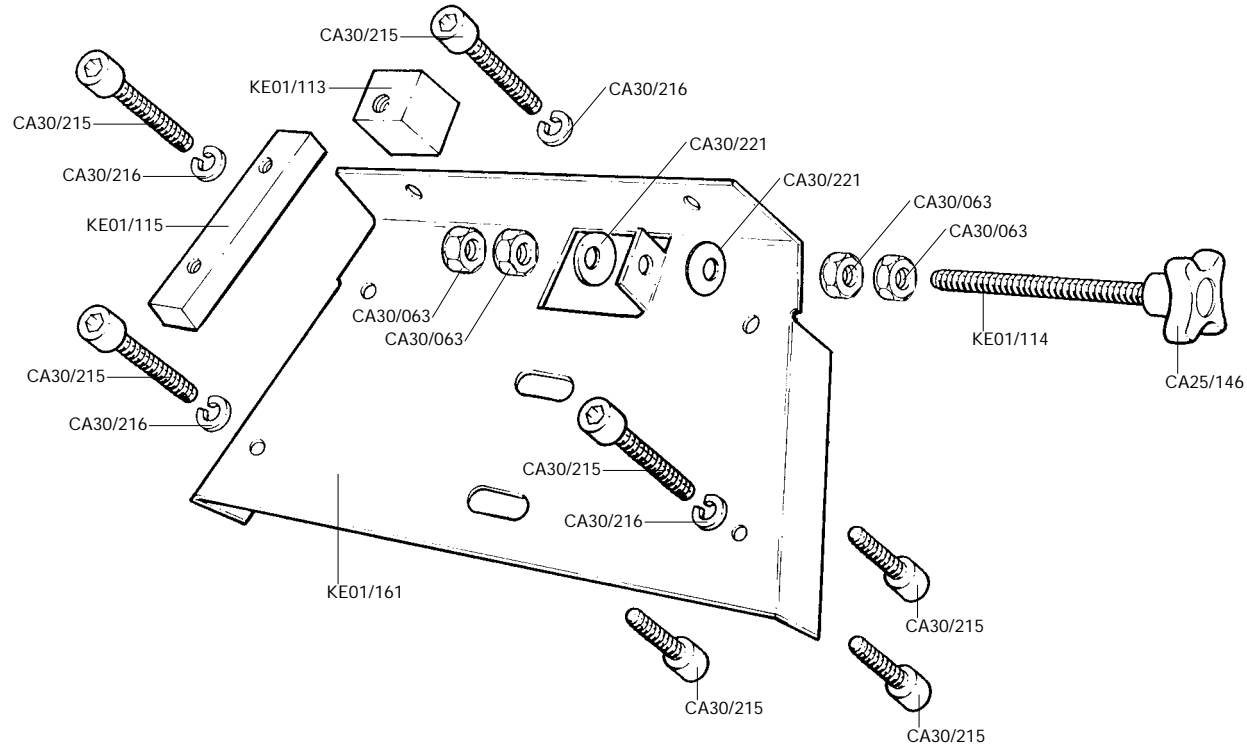
KEENCUT SLIDWAY ASSEMBLY

10



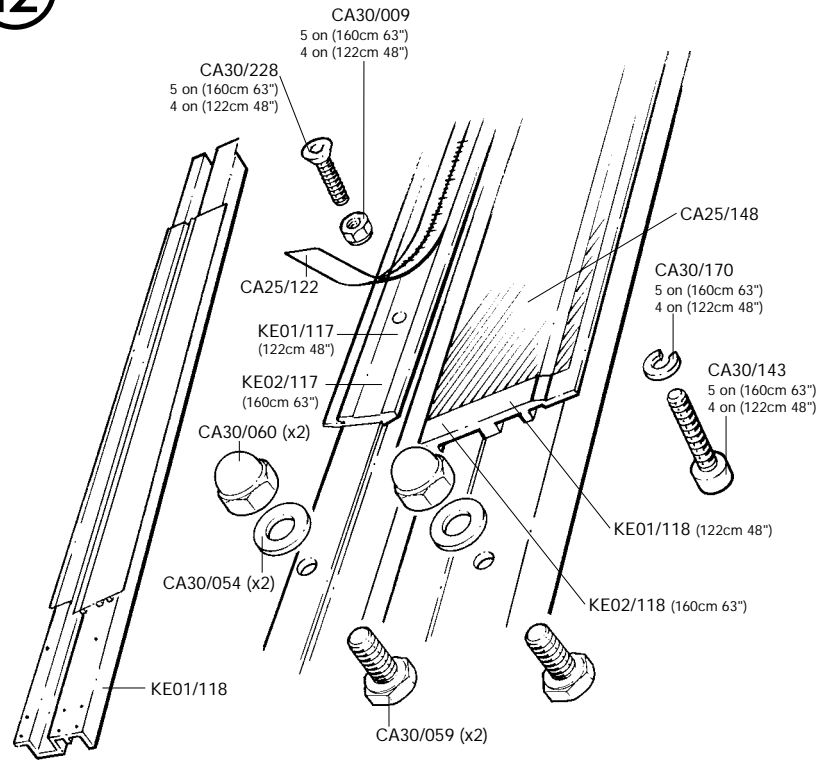
KEENCUT TOP PLATE

11



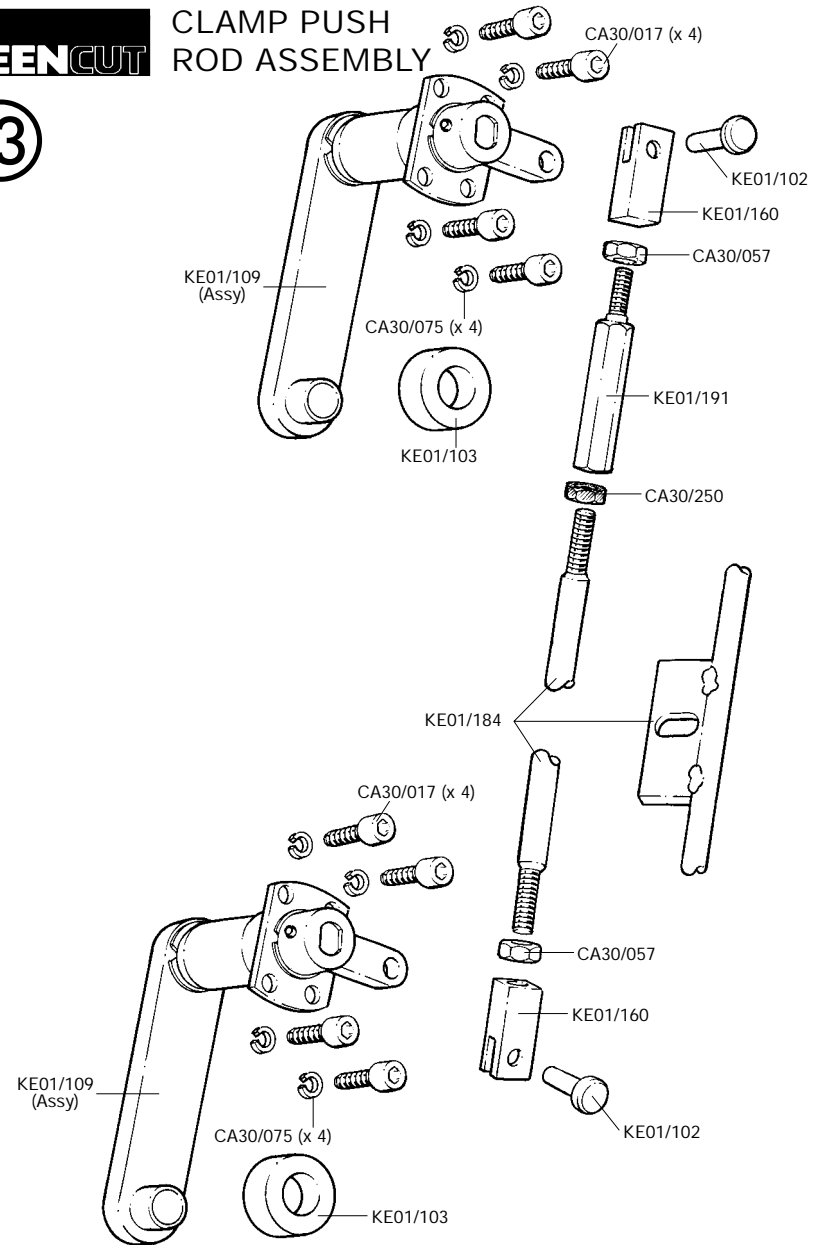
KEENCUT SPINE ASSEMBLY

12



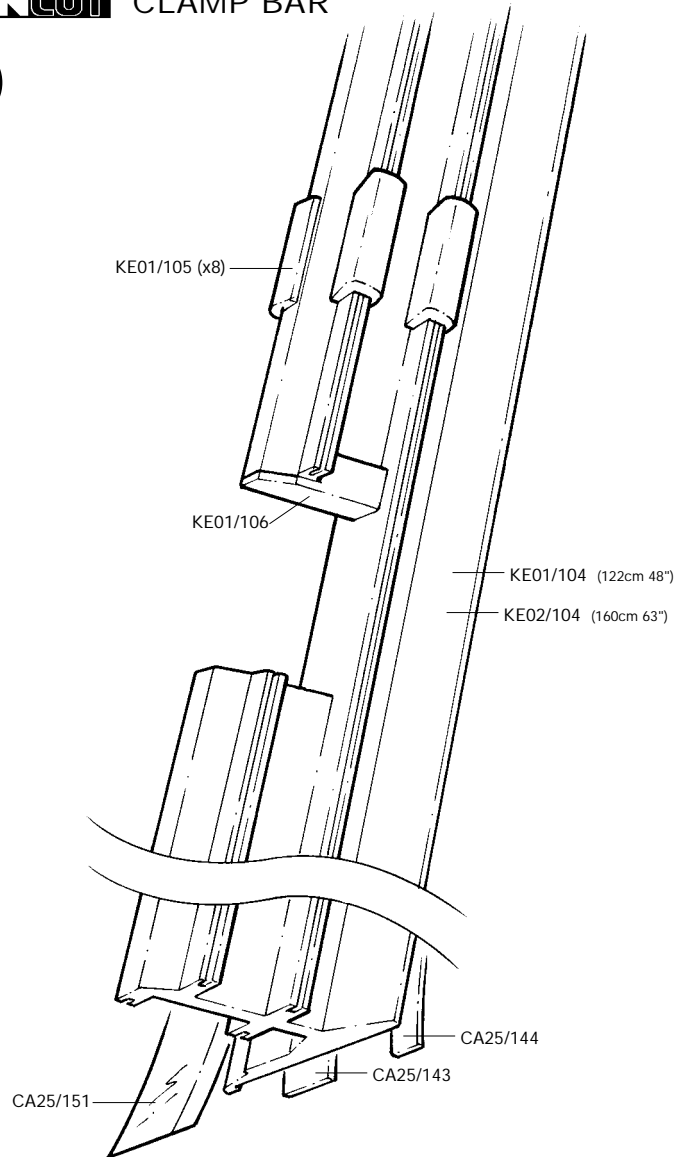
KEENCUT CLAMP PUSH ROD ASSEMBLY

13



KEENCUT CLAMP BAR

17



KEENCUT SQUARING ARM

18

